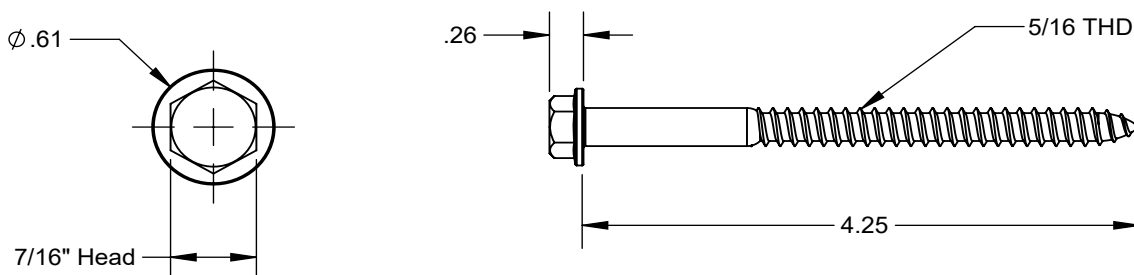


ITEM NO	DESCRIPTION	QTY IN KIT
1	BOLT, LAG 5/16 X 4.25"	1
2	WASHER, EPDM BACKED	1
3	FM FLASHING, MILL OR BLACK	1
4	GRIP CAP, MILL OR BLACK	1

FLASHVUE

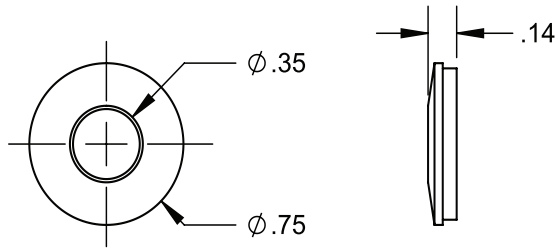
PART NUMBER	DESCRIPTION
FV-01-M1	FLASHING, FLASHFOOT, MILL
FV-01-B1	FLASHING, FLASHFOOT, BLACK

1) BOLT, LAG 5/16 x 4.25"



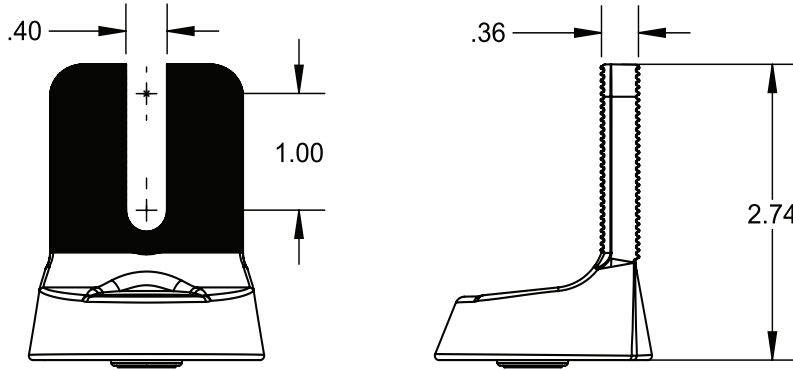
Property	Value
Material	300 Series Stainless Steel
Finish	Clear

2) Washer, EPDM Backed



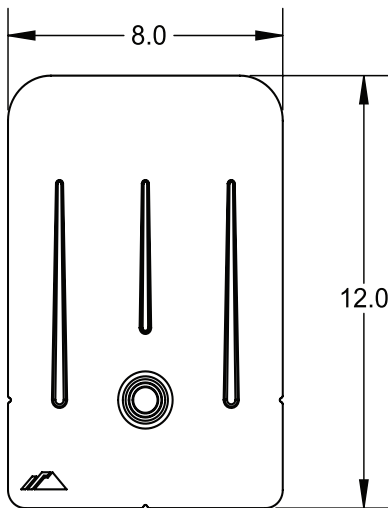
Property	Value
Material	300 Series Stainless Steel
Finish	Clear

3) Grip Cap



Property	Value
Material	Aluminum
Finish	Mill/Black

4) FM Flashing



Property	Value
Material	Aluminum
Finish	Mill/Black